

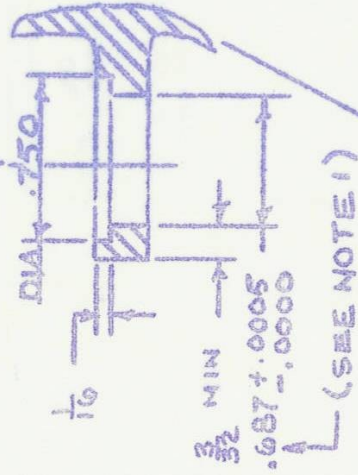
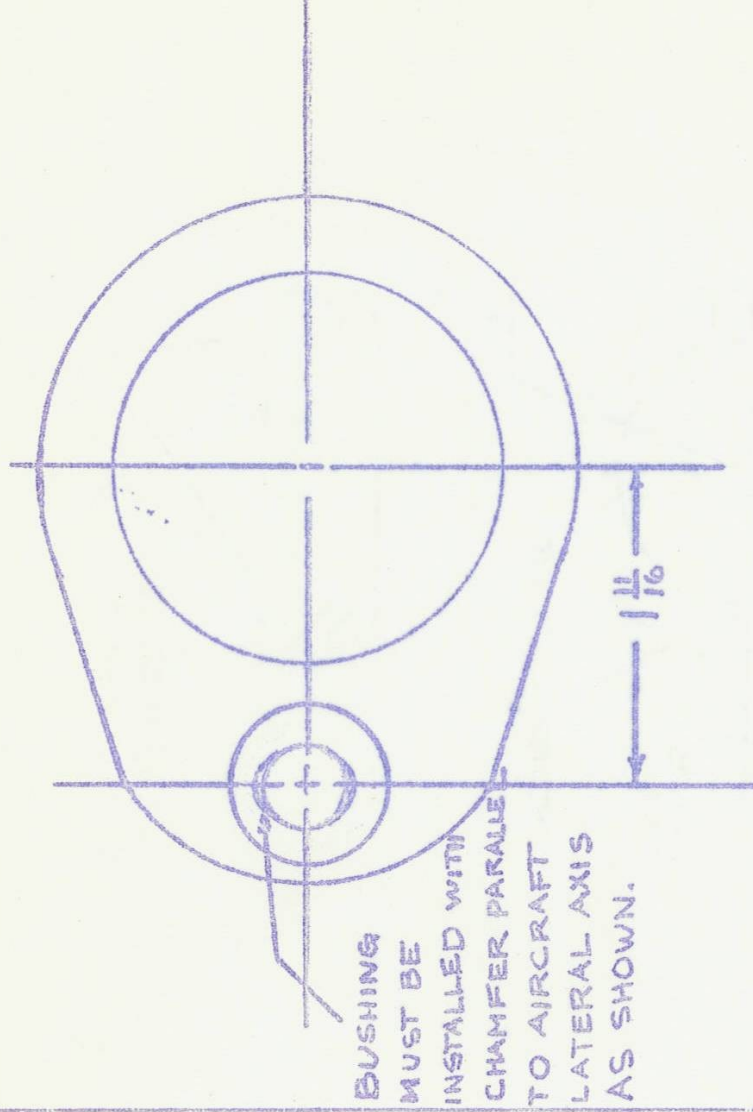
BRISTOL AEROSPACE ENGINEERING MEMORANDUM
LIMITED

TITLE

TAIL WHEEL LANDING PIN BUSH REPAIR

E.M. No.

12539 "B"



NOTES:

(1) FORCED FIT TOLERANCE GIVEN AS A GUIDE ONLY FOR SELECTIVE ASSY. AN INTERFERENCE OF METAL OF .0003 TO .0004" SHOULD BE GIVEN ON ONE PRONE BASE. THE BUSHING MUST TURN IN THE CIRCUMSTANCES TURN IN THE FORK.

(2) BUSHING - 1 REQ MAKE FROM 4130 STEEL TO MIL-S-6758, HEAT TREAT TO 150000 - 180000 PSI. CAD PLATE AS PER SPEC QQ-P-416 TYPE I CLASS 2



